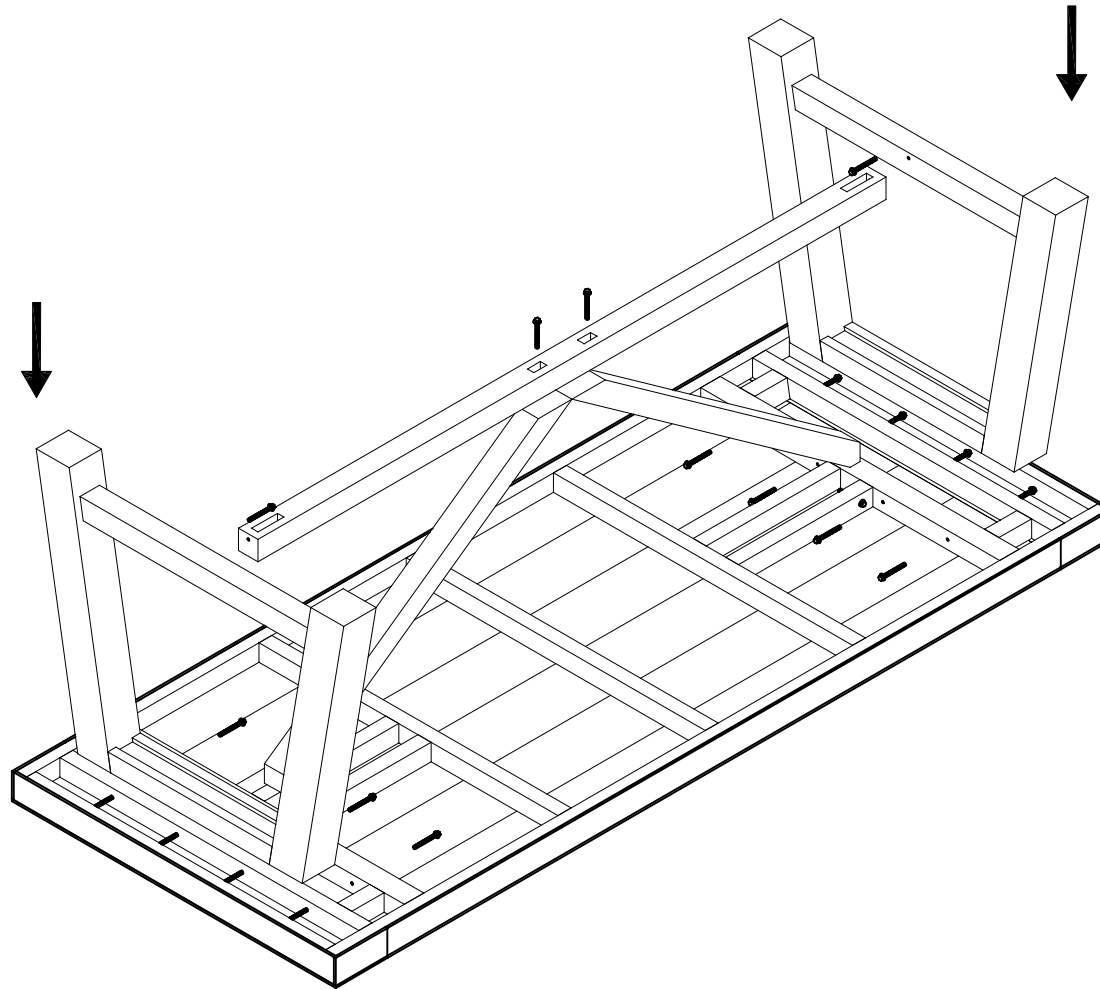


78" FARMHOUSE DINING TABLE



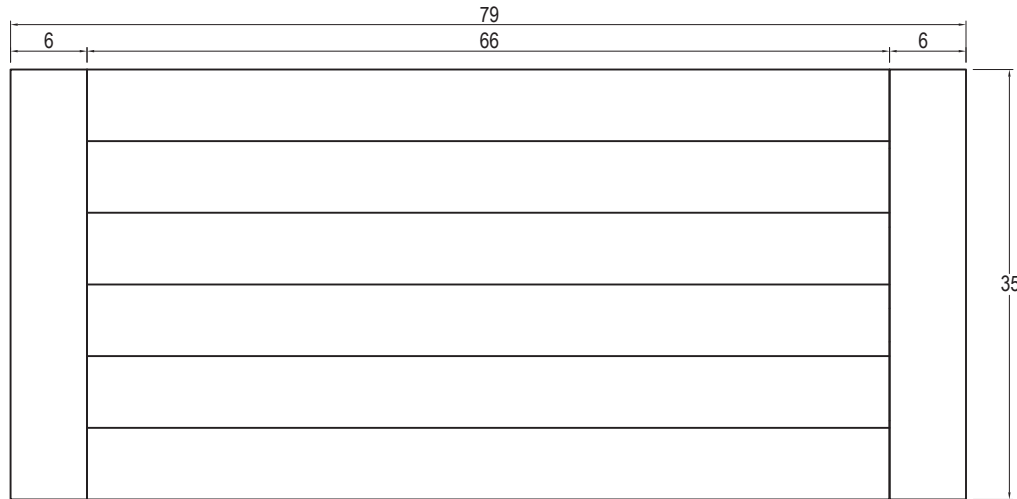
Toll Free: 1 855 738 1378
Email: info@urbanwoodcraft.com

Bolt M8 x 2.7 in : 20 Pcs

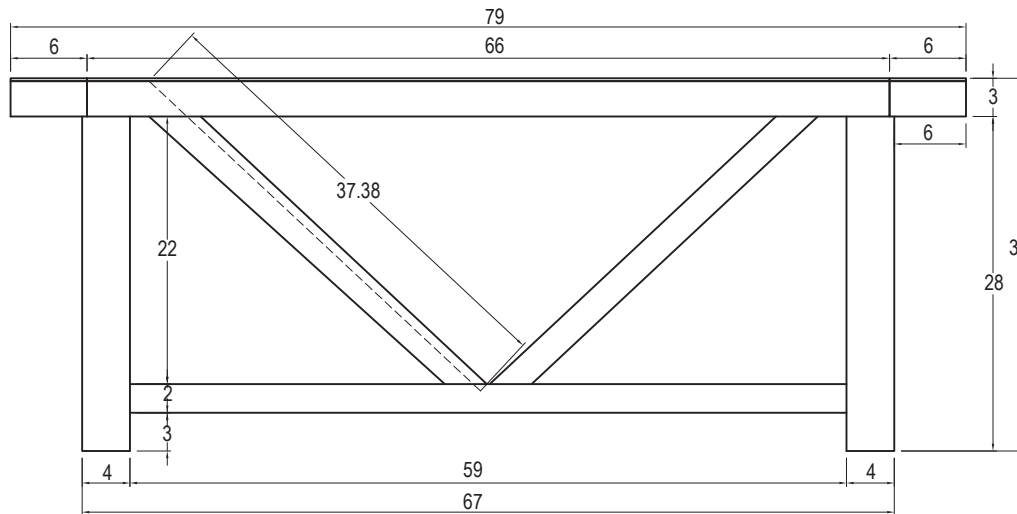


ASSEMBLY INSTRUCTIONS

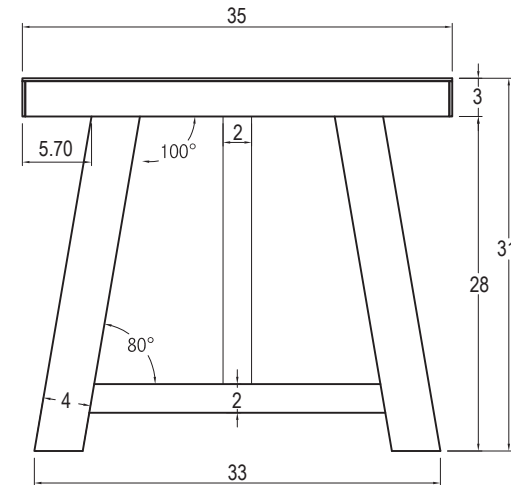
78" FARMHOUSE DINING TABLE



TOP VIEW / VUE DE DESSUS / VISTA SUPERIOR



FRONT VIEW / VUE DE FACE / VISTA FRONTAL



SIDE VIEW / VUE DE CÔTÉ / VISTA LATERAL

Toll Free: 1 855 738 1378 Email: info@urbanwoodcraft.com	ITEM NUMBER 500.78DT.FH.D			UNITS Inches	VERSION 00	DATE 13.05.2015
	SIZE L 79	W 35	H 31	APPROVAL		